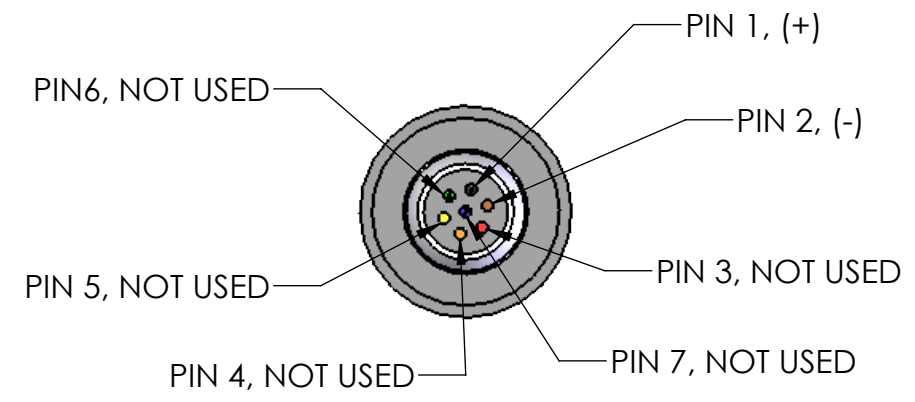
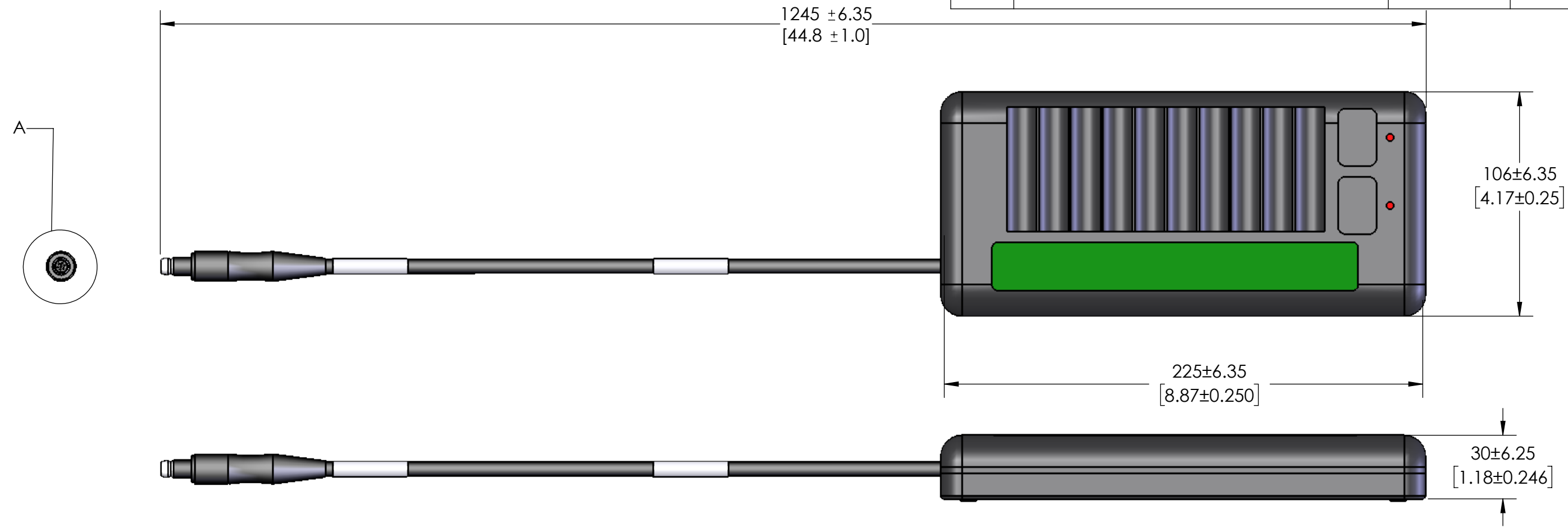


8 7 6 5 4 3 2 1

REVISIONS			
REV.	DESCRIPTION	DATE	APPROVED



DETAIL A
SCALE 2 : 1

- NOTES:
- PRINTED COPIES OF THIS DOCUMENT ARE "UNCONTROLLED", AND NOT NECESSARILY CURRENT REVISION LEVEL.
 - PART TO BE FREE OF ALL NICKS, BURRS AND SCRATCHES.

3RD ANGLE PROJECTION

PROPRIETARY AND CONFIDENTIAL

ALL INFORMATION HEREIN IS CONFIDENTIAL, PROPRIETARY AND THE PROPERTY OF ULTRACELL LLC AND SHALL NOT BE REPRODUCED OR COPIED OR USED IN WHOLE OR IN PART EXCEPT AS EXPRESSLY PERMITTED OR DIRECTED IN WRITING BY ULTRACELL LLC

UNLESS OTHERWISE SPECIFIED:		NAME	DATE
DIMENSIONS ARE IN MILLIMETERS TOLERANCES: N/A		DRAWN R.P.CUENIN	11-28-18
INTERPRET DRAWING PER: ASME Y14.5M-1994		CHECKED	xxxx xx/xx/xx
MATERIAL		ENG APPR.	xxxx xx/xx/xx
FINISH		MFG APPR.	xxxx xx/xx/xx
DO NOT SCALE DRAWING		Q.A.	xxxx xx/xx/xx
COMMENTS:			

UltraCell LLC

TITLE:
CABLE ASSY, AA BATTERY
CHARGER, 6-PORT

SIZE	DWG. NO.	REV
B	ICD-ACA0081	01

SCALE: 1:5 WEIGHT: SHEET 1 OF 1